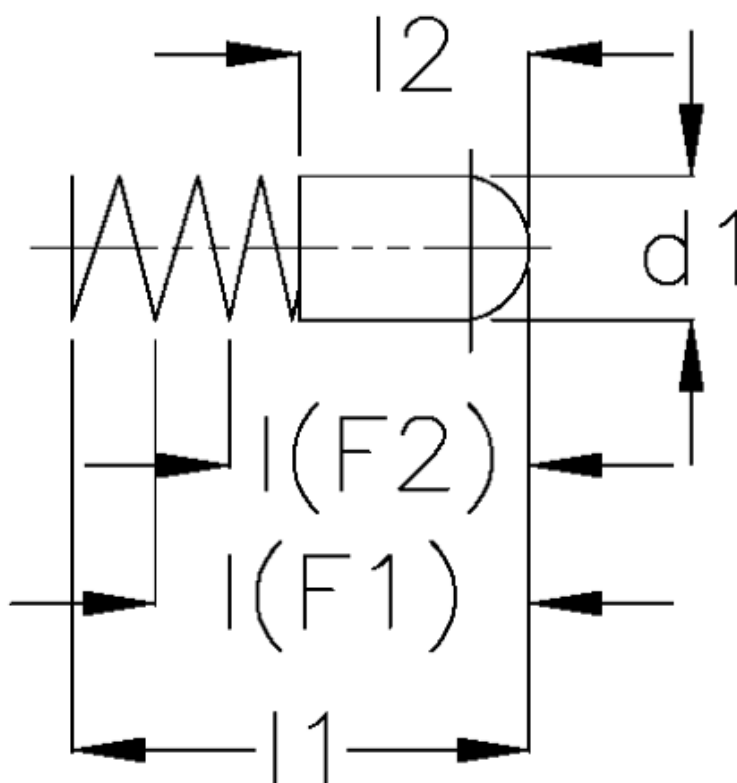


Article number: 20028403

Description: E+G
Spring plunger GN 610-5-16-H

Measures



d1	= 5.0
I(F1)	= 13.0
I(F2)	= 10.4
I1	= 16
I2	= 8.0
Spring pressure (F1) N	= 8.0
Spring pressure (F2) N	= 15.0